

PLEX-DM8

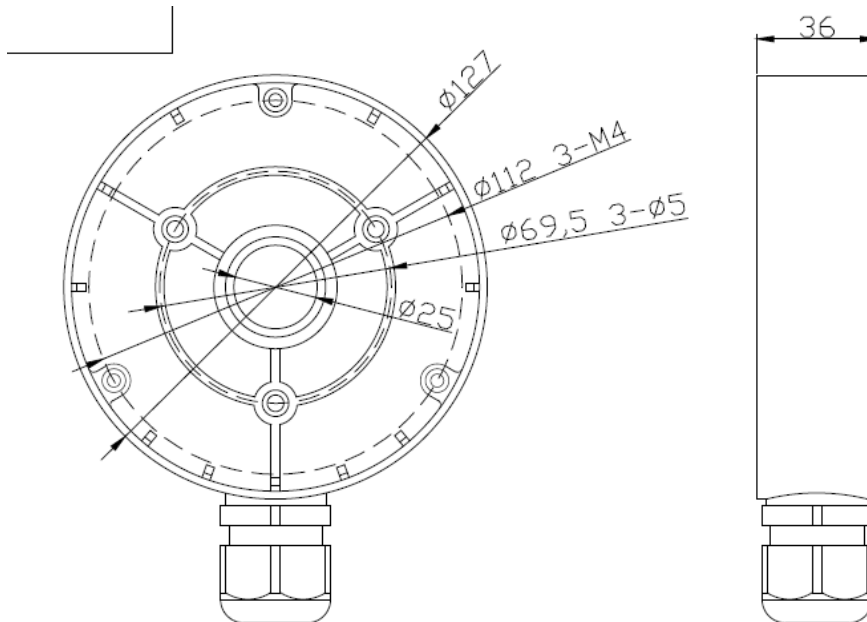
Junction Box for Dome Camera

Features:

- Aluminum alloy material with surface spray treatment
- Waterproof design
- Side inlet and bottom inlet



Dimension:



Model:

PLEX-DM8

Parameter:

Model	PLEX-DM8
Parameters	Junction Box for Dome Camera
Appearance	White
Material	Aluminum alloy
Dimension	$\Phi 126.7 \times 35\text{mm}$
Weight	210g

Notice:

- The bracket should be installed on flat wall
- Waterproof rubber is necessary for outdoor application
- The wall must be capable of supporting over 3 times as much as the total weight of the camera and the mount.
- The maximum load capacity of the bracket is 1KG **Note: The actual bracket may vary from the picture above.**