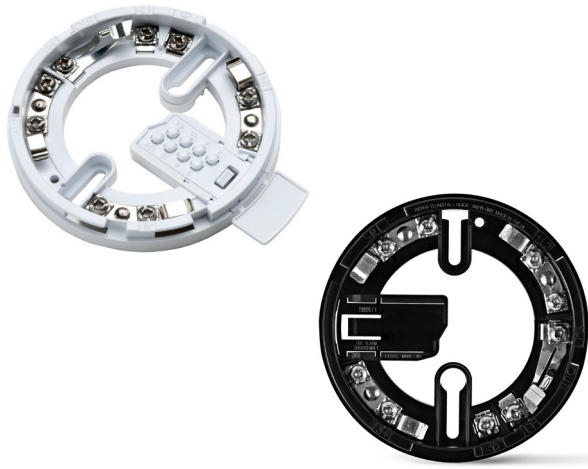


# XPERT 8

## Intelligent Mounting Base



### Product overview

<b>Product</b>	Mounting Base
<b>Part No.</b>	SA5000-200 (White)
	SA5000-202 (Red)
	SA5000-204 (Black)

### Product information

All detectors in the Soteria®, Discovery® and XP95® range fit into the XPERT 8 Intelligent Mounting Base. The base has a wide interior diameter for ease of access to cables and terminals. The 'E-Z Fit' feature allows you to fit the base screws, place the XPERT 8 Intelligent Mounting Base over the screws, slide it into place and tighten the screws. The detector requires a clockwise rotation into the base for fitting. Additionally the detector can be locked into the base for increased security, by a grub screw using a 1.5mm hexagonal driver. The XPERT 8 card, Part Number 38532-064, supplied with the base, has pre-punched pips to remove to set the address. Refer to the XPERT 8 Intelligent Mounting Base Installation Guide 39215-005 for details on how to set the address.

- Compatible with Soteria, Discovery and XP95 detectors
- Isolated and Non-isolated devices supported
- Isolated wiper - maintains loop connectivity during temporary removal of devices
- Supplied with XPERT 8 Card for CoreProtocol® \*
- 'E-Z Fit' allows for simple mounting of the detector base after wiring
- Base mark allows for LED detector alignment

\* Note: XPERT 8 card increases the address capacity to 254 when using Soteria detectors and CoreProtocol enabled fire control panels.

### Manufacturer's Specification

All data is supplied subject to change without notice. Specifications are typical at 24 V, 25°C and 50% RH unless otherwise stated.

<b>Terminal functions</b> (Note: With reference to Figures 1, 2 & 3, L1 & L2 are polarity sensitive when used with a Soteria detector)	+L2	Loop in & out positive
	-L1 in	Loop (isolated) negative
	-L1 out	Loop (isolated) negative
	⏏	Functional earth
	+R	Remote indicator positive connection
	-R	Remote indicator negative connection

**Dimensions** 100mm dia. x 20mm height

**Weight** 63g

**Materials** Base: Flame-retardant polycarbonate  
Terminals: Nickel plated stainless steel

36 Brookside Road, Havant | Tel: +44 (0)23 9249 2412 | Email: enquiries@apollo-fire.com  
Hampshire, PO9 1JR, UK. | Fax: +44 (0)23 9249 2754 | Web: www.apollo-fire.co.uk

All information in this document is given in good faith but Apollo Fire Detectors Ltd cannot be held responsible for any omissions or errors. The company reserves the right to change the specifications of products at any time and without prior notice.

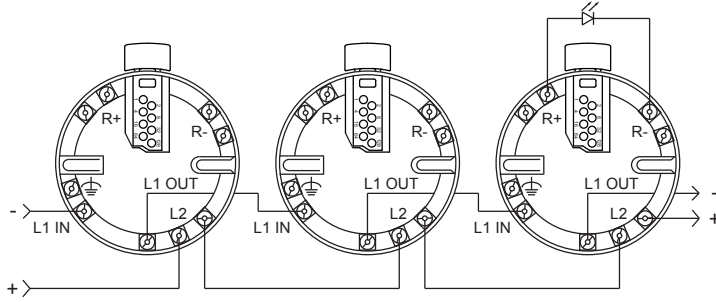


A Halma company

© Apollo Fire Detectors Ltd 2024



Figure 1: Wiring diagram for detectors with isolator\*



**Note:** Detectors without isolators will work with the above connections, however, if there are no isolators in the system, or it is a retrofit application, the arrangement below is recommended.

Figure 2: Wiring diagram for detectors without isolator

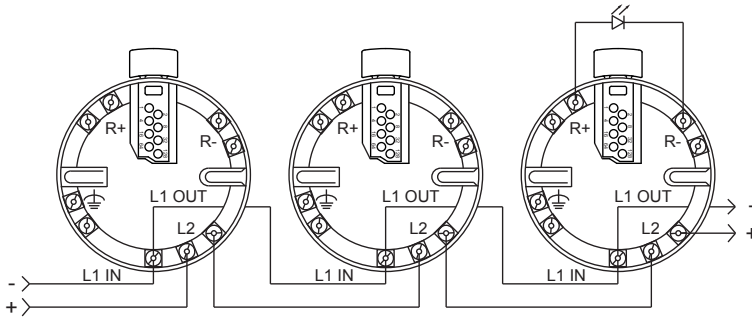


Figure 3: Wiring diagram for detectors without isolator with common remote LED

